

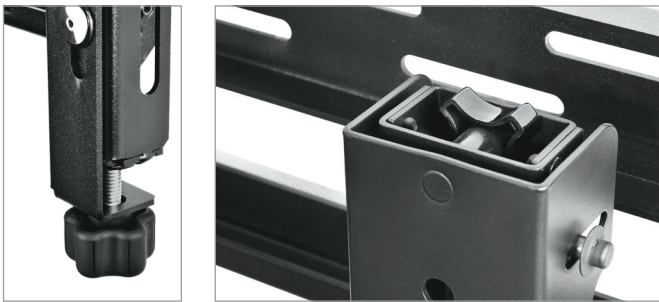
MOBILE VIDEOWALL TROLLEY PDVWM 3X3 46 55 L

ORDER CODE: 100013265

Mobile Videowall Trolley for 3x3 installations of NEC MultiSync® 46" XUN/V, XS and P Series.

This videowall trolley provides tool-less micro adjustment for precise display alignment along with the strength to hold up to 9 displays. A security screw locking mechanism ensures that the displays stay in the location intended for perfect viewing positioning. With 360° swivel, the durable swivel casters roll smoothly offering easy maneuverability.

TOOL-LESS MICRO ADJUSTMENT



PDVWM 3x3 46 55 L



PDVWM 3x3 46 55 L



Delivering Genuine Benefits

Free standing videowall solution for 3x3 display configurations

Tool-less micro adjustments at 8 point seamlessly align the displays

Multiple mounting slots allow for multiple height options

With strong legs, paired with horizontal supports, the wall cart holds a maximum load of 454kg

Lockable 127mm casters enable safe and easy maneuverability over various flooring surfaces

Cable management through the stand upright columns

Base cover with internal media player shelf, hides cables for a clean appearance

Converts from a trolley to a stand with optional Cart Feet FT01

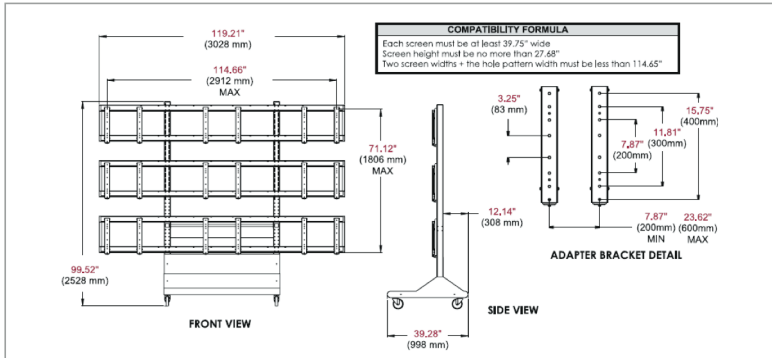


MOBILE VIDEOWALL TROLLEY PDVWM 3X3 46 55 L

ORDER CODE: 100013265

TECHNICAL DRAWINGS

PDVWM 3X3 46 55 L



TECHNICAL SPECIFICATIONS

ORDER CODES			
PDVWM 3x3 46 55 L	100013265	FT01	100013264
MIN. DEPTH	998 mm		
VESA PATTERN	200 x 200; 600 x 400		
CONFIGURATION			
Configuration	3x3		
Orientation	Landscape		
Max. weight capacity	454 kg		
MECHANICAL			
PACKAGE DIMENSIONS (H X W X D)			
Box1	2565 x 952 x 317 mm		
Box2	3073 x 102 x 102 mm		
Box3	3073 x 102 x 102 mm		
Shipping Weight	175 kg		
Weight of Trolley	168 kg		
Shipping Content	Cart frame, 127mm casters, adapter brackets, cart base cover and mounting hardware		
OTHER SPECIFICATIONS			
Supported NEC Public Displays	MultiSync® 46" and 55" XUN/V-, XS- and P-Series		
Videowall options	Over Frame Kit (KT-46UN-OF, KT-46UN-OF2, KT-55UN-OF); Remote Control Kit (KT-RC); Calibration Kit (KT-LFD-CC)		
Certificates / Standards	UL Listed, RoHs		
Warranty	3 years		
For additional pictures and Solutions overview, Visit www.nec-display-solutions.com for details.			

This document is © Copyright 2012 NEC Display Solutions Europe GmbH. All rights are reserved in favour of their respective owners. The document, or parts thereof, should not be copied, adapted, redistributed, or otherwise used without the prior written permission of NEC Display Solutions Europe GmbH. This document is provided "as is" without warranty of any kind whatsoever, either express or implied. Errors and omissions are excepted.

NEC Display Solutions Europe GmbH may make changes, revisions or improvements in, or discontinue the supply of any product described or referenced in this document at any time without notice. 19. February 2013

NEC Information:

Call: +49 (0)89/99 699-0

Email: infomail@nec-displays.com

www.nec-display-solutions.com

Empowered by Innovation

